

## Stainless Steel- Rotary clamping latches

Operation with socket key or operating element

### SPECIFICATION

#### Types

- Type **VK8**: Operation with square spindle A/F8
- Type **SCH**: Operation with slot
- Type **VDE**: Operation with double bit
- Type **RG**: Operation with knurled knob GN 7336 (see page 280)
- Type **KG**: Operation with wing knob
- Type **HG**: Operation with lever

Stainless Steel

- Housing AISI 316
- Locking mechanism AISI 316
- Bolt AISI 316
- Latch AISI 304

all handles (Type RG / KG / HG)

- Plastic (Polyamide PA)
- black, matt
- Cover cap light grey matt

Protection class: IP 65



### INFORMATION

The Stainless Steel-Rotary clamping latches GN 516.5 have a closing mechanism which transfers the rotary movement of the operating element / key into a 90° turn and then into a 6 mm linear stroke.

This mechanism is designed for common applications such as making a tight and vibration-proof interlock in the end position (retaining position) in connection with an elastic element (door / casing seal).

9 latches with different cranks will cover latch distances (retaining zones) of between 19 and 41 mm. If the measured retaining position lies between two latch distances A, the next smaller value must be selected.

The rotary clamping latches GN 516.5 are supplied with loosely enclosed latch.

### TECHNICAL INFORMATION

- List of latch types (see page 1456)
- IP Protection classes (see page A23)
- Stainless Steel characteristics (see page A26)
- Plastic characteristics (see page A2)

### ACCESSORY

- Socket keys GN 119.2 (see page 1530)
- Protective caps GN 120 (see page 1486)
- Opening handles GN 120.1 (see page 1487)

### TECHNICAL AND ASSEMBLY INSTRUCTIONS

1. Latch in starting position.
2. The first 90° turn of the actuator / key moves the latch into the usual locking position.
3. Turning the actuator further by another 90° will lift the latch in linear direction by 6 mm, pulling the door leaf against the frame or the seal and generating a vibration-proof lock.

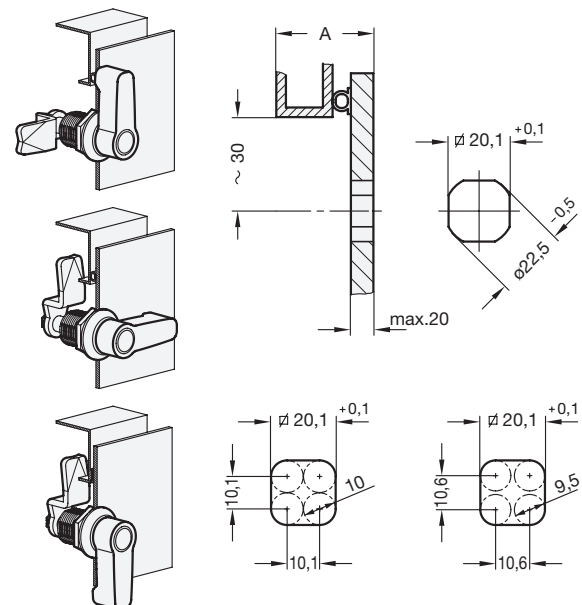
max. torque: 4.5 Nm  
max. axial force: 340 N  
max. static load: 340 N

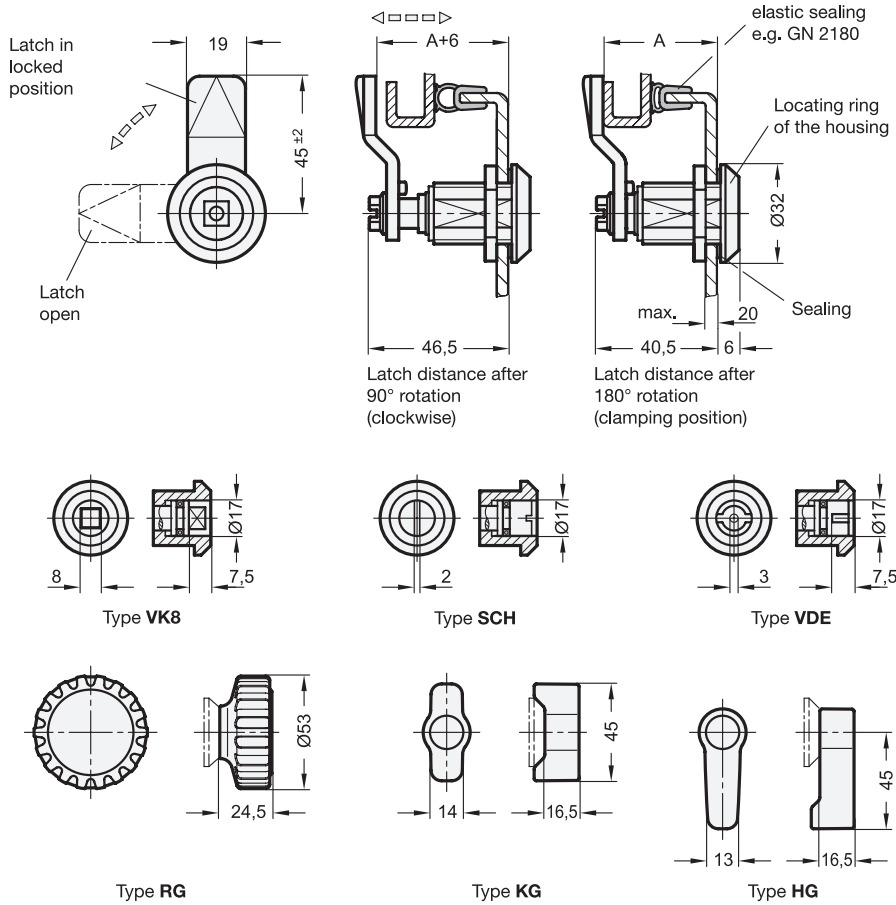
For **installation**, set a bore diameter in the door as shown in the outline drawing. Once assembled, the rotary clamping latch is pushed through the bore diameter from the front. The hexagonal nut can then be pushed over the latch from the back and bolted in place.

The **installation bore diameter** in the door leaf is usually generated by punching or laser application in series production.

For small series and steel sheets below 2 mm thickness, the sheet metal punches GN 123 (see page 1493) are the tool of choice.

The installation bore diameter can also be set by drilling / milling as shown in the outline drawings.





\* Complete with type index of the rotary clamping latch  
VK8 SCH VDE RG KG HG

GN 516.5

STAINLESS STEEL

Description	Latch distance A	⚖
GN 516.5-*-19	19	100
GN 516.5-*-23	23	120
GN 516.5-*-27	27	120
GN 516.5-*-31	31	120
GN 516.5-*-33	33	120
GN 516.5-*-35	35	120
GN 516.5-*-37	37	120
GN 516.5-*-39	39	100
GN 516.5-*-41	41	120

Weight type VK8

